

Hyperpanel Lab

Sheet:

File: shield\_btn-led-ir.kicad\_pcb

Title:

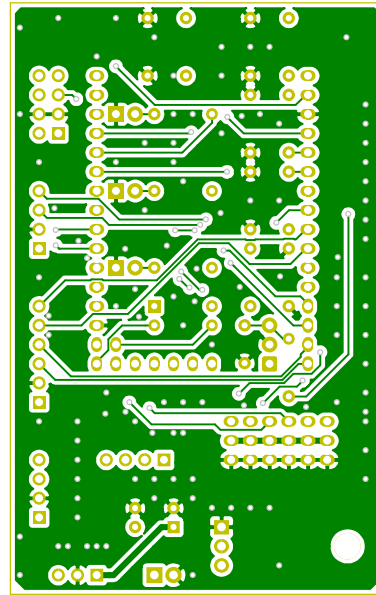
Size: A4

Date: 2019-04-04

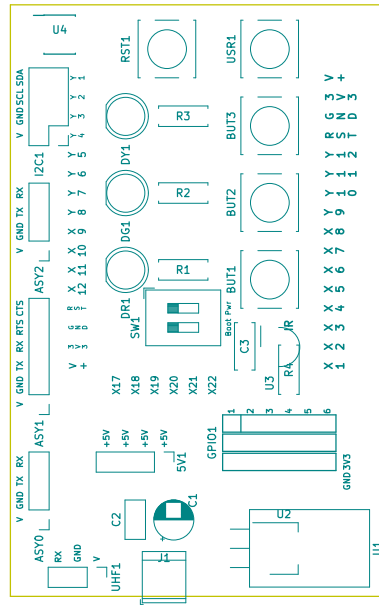
Rev: 10

KiCad E.D.A. kicad (5.1.0)-1

Id: 1/1



Hyperpanel Lab		
Sheet:		
File: shield_btn-led-ir.kicad_pcb		
Title:		
Size: A4	Date: 2019-04-04	Rev: 10
KiCad E.D.A. kicad (5.1.0)-1		Id: 1/1



Hyperpanel Lab		
Sheet:		
File: shield_btn-led-ir.kicad_pcb		
Title:		
Size: A4	Date: 2019-04-04	Rev: 10
KiCad E.D.A. kicad (5.1.0)-1		Id: 1/1