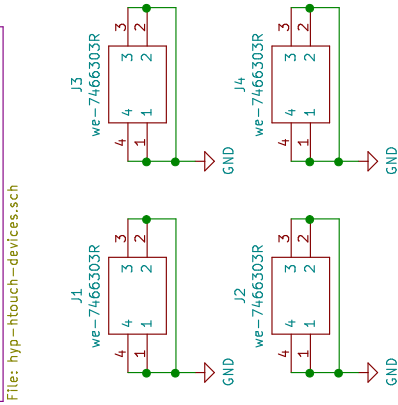
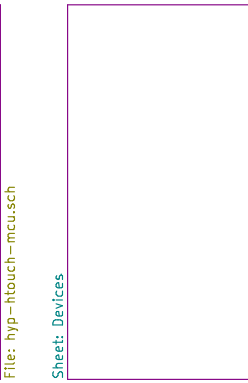
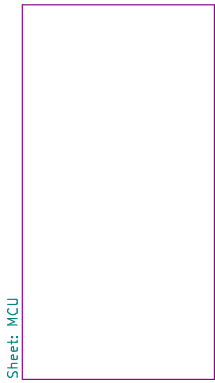


PIN	TYPE	NAME	FUNCTION	USE	SIGNAL
1	P	VBAT		Power	3.3V
2	U	PC13			
3	U	PC14			
4	U	PC15			
5	S	PH0	OSC_IN	Resonator	OSC_IN
6	S	PH1	OSC_OUT	Resonator	OSC_OUT
7	S	NRST	NRST	Reset	RESET
8	P	VSSA		Power	GND
9	P	VDDA		Power	3.3V
10	D	PA0		Led	LED_1_GREEN
11	D	PA1		Led	LED_1_RED
12	U	PA2			
13	U	PA3			
14	D	PA4	DAC1_OUT1	Light Sensor	DAC_OUT
15	D	PA5	ADC1_IN10	Light Sensor	ADC_IN
16	U	PA6			
17	U	PA7			
18	D	PB0		Relay	RELAY_1
19	D	PB1		Relay	RELAY_2
20	U	PB2			
21	D	PB10	USART3_TX	ASY	ASY_TX
22	D	PB11	USART3_RX	ASY	ASY_RX
23	P	VSS		Power	GND
24	P	VDD		Power	3.3V
25	D	PB12		Led	LED_2_GREEN
26	D	PB13		Led	LED_2_RED
27	U	PB14			
28	U	PB15			
29	U	PA8			
30	U	PA9			
31	U	PA10			
32	D	PA11	CAN1_RX	CAN	CAN_RX
33	D	PA12	CAN1_TX	CAN	CAN_TX
34	S	PA13	JTMS--SWDIO	JTAG	JTAG_JTMS
35	P	VSS		Power	GND
36	P	VDD		Power	3.3V
37	S	PA14	JTCK--SWCKJ	JTAG	JTAG_JTCK
38	S	PA15	JTDI	JTAG	JTAG_JTDI
39	S	PB3	JTDO--TRACESWO	JTAG	JTAG_JTDO
40	S	PB4	NJTRST	JTAG	JTAG_NJTRST
41	D	PB5	TSC_G2_I02	Touch Screen Sensor	TSC_G2_I02
42	D	PB6	TSC_G2_I03	Touch Screen Sensor	TSC_G2_I03
43	D	PB7	TSC_G2_I04	Touch Screen Sensor	TSC_G2_I04
44	S	BOOT0	BOOT0	BOOT	BOOT0
45	U	PB8			
46	U	PB9			
47	P	VSS		Power	GND
48	P	VDD		Power	3.3V



STM32L431CC PIN TABLE



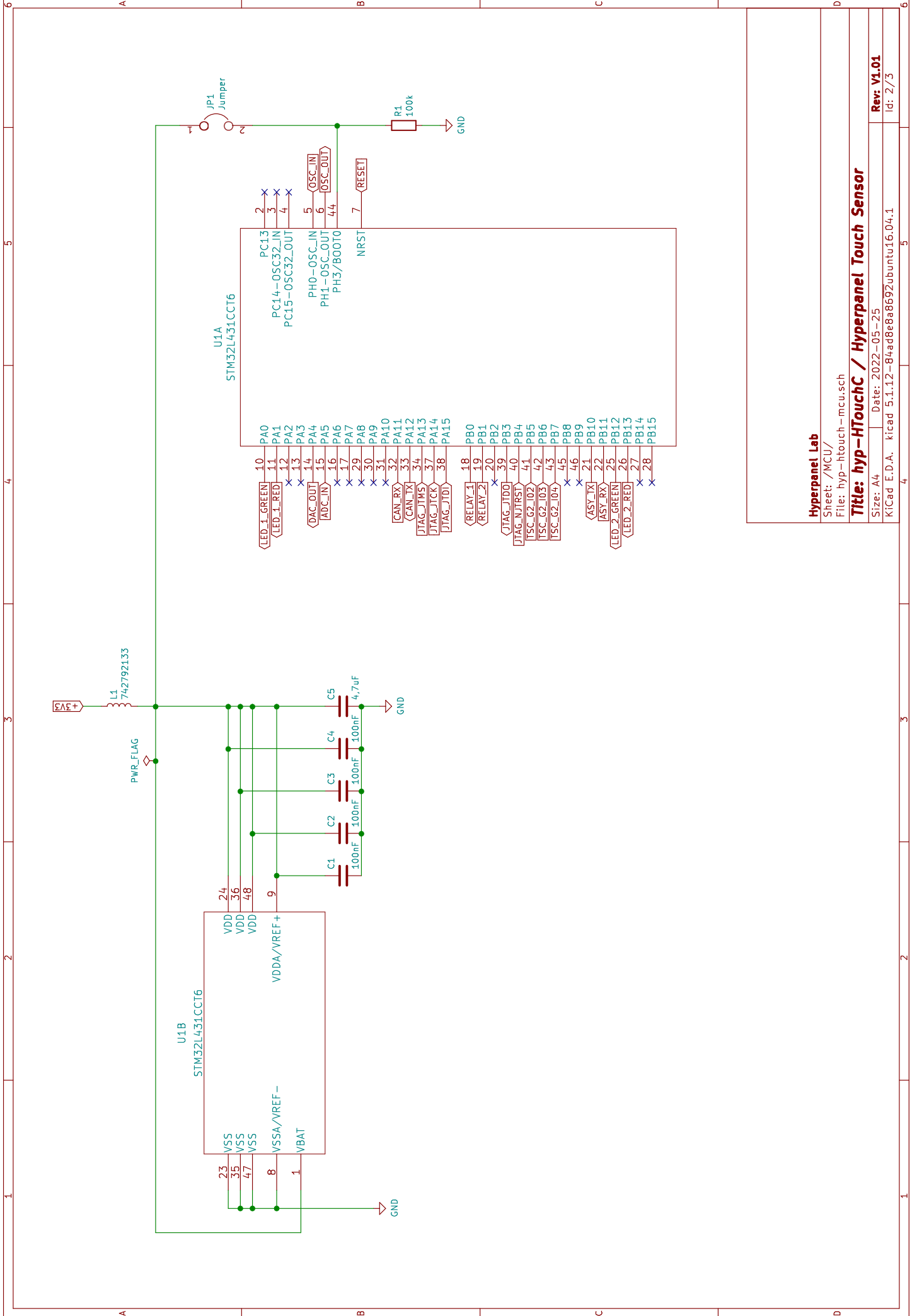
Hyperpanel Lab

Sheet: /  
File: hyp-htouch.sch

Title: hyp-HTouchC / Hyperpanel Touch Sensor

Size: A4 | Date: 2022-05-25 | Rev: V1.01  
KiCad E.D.A. kicad 5.1.12-84ad8e8a692ubuntu16.04.1 | Id: 1/3





**Hyperpanel Lab**

Sheet: /MCU/  
File: hyp-htouch-mcu.sch

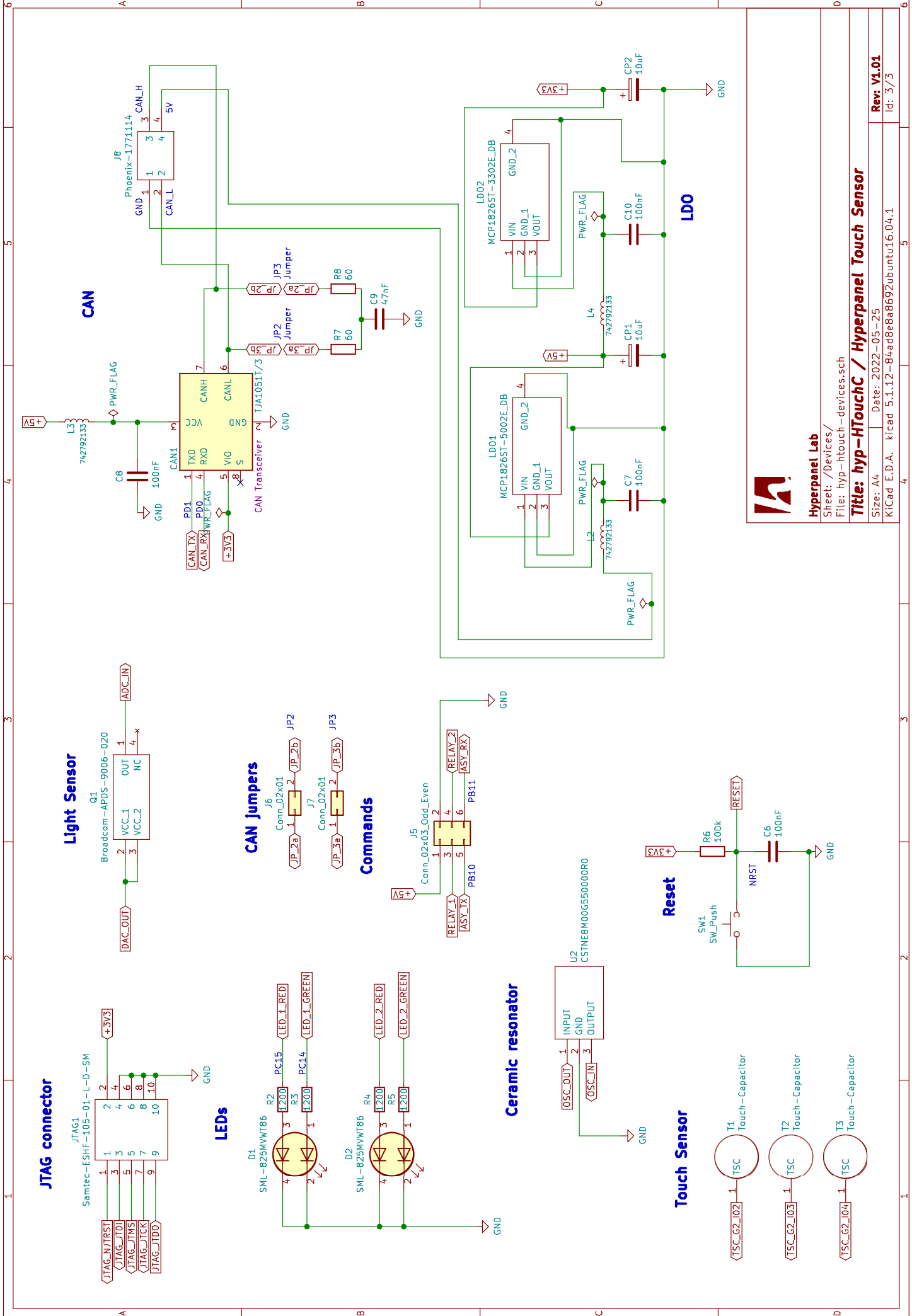
**Title: hyp-HTouchC / Hyperpanel Touch Sensor**

Size: A4 Date: 2022-05-25

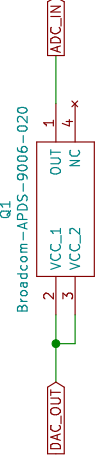
KiCad E.D.A. kicad 5.1.12-84ad8e8a692ubuntu16.04.1

Rev: V1.01

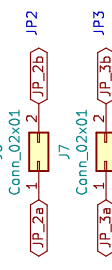
Id: 2/73



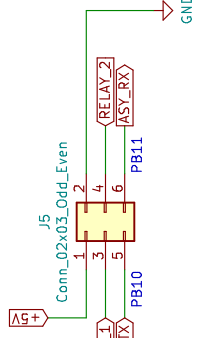
**Light Sensor**



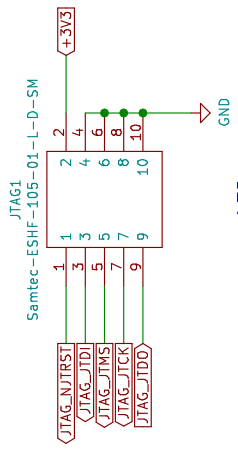
**CAN jumpers**



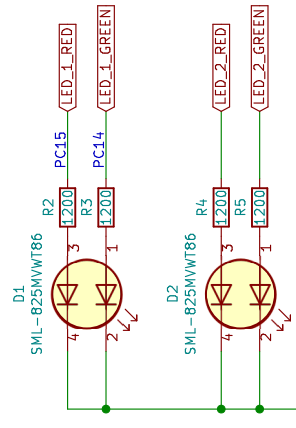
**Commands**



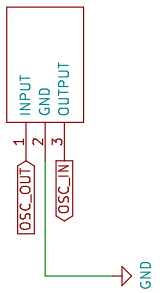
**JTAG connector**



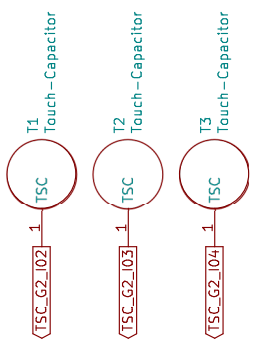
**LEDs**



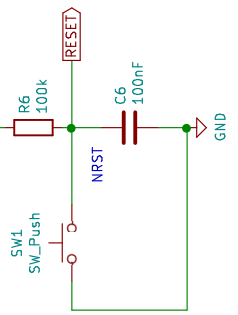
**Ceramic resonator**



**Touch Sensor**



**Reset**



Hyperpanel Lab

Sheet: /Devices/  
File: hyp-htouch-devices.sch

**Title: hyp-HTouchC / Hyperpanel Touch Sensor**

Size: A4 Date: 2022-05-25

KiCad E.D.A. kicad 5.1.12-84ad8e8a692ubuntuf6.04.1

Rev: V1.01

Id: 3/73