

NUCLEO-XXXXRX

MB1136

Table of contents

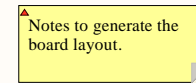
- Sheet 1: Project overview (this page)
- Sheet 2: Top & Power
- Sheet 3: MCU
- Sheet 4: STLINK/V2-1
- Sheet 5: Extension connectors

Legend

General comment such as function title, configuration, ...

Text to be added to silkscreen.

Warning text.



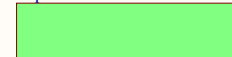
Open Platform License Agreement

The Open Platform License Agreement (“Agreement”) is a binding legal contract between you (“You”) and STMicroelectronics International N.V. (“ST”), a company incorporated under the laws of the Netherlands acting for the purpose of this Agreement through its Swiss branch 39, Chemin du Champ des Filles, 1228 Plan-les-Ouates, Geneva, Switzerland.

By using the enclosed reference designs, schematics, PC board layouts, and documentation, in hardcopy or CAD tool file format (collectively, the “Reference Material”), You are agreeing to be bound by the terms and conditions of this Agreement. Do not use the Reference Material until You have read and agreed to this Agreement terms and conditions. The use of the Reference Material automatically implies the acceptance of the Agreement terms and conditions.

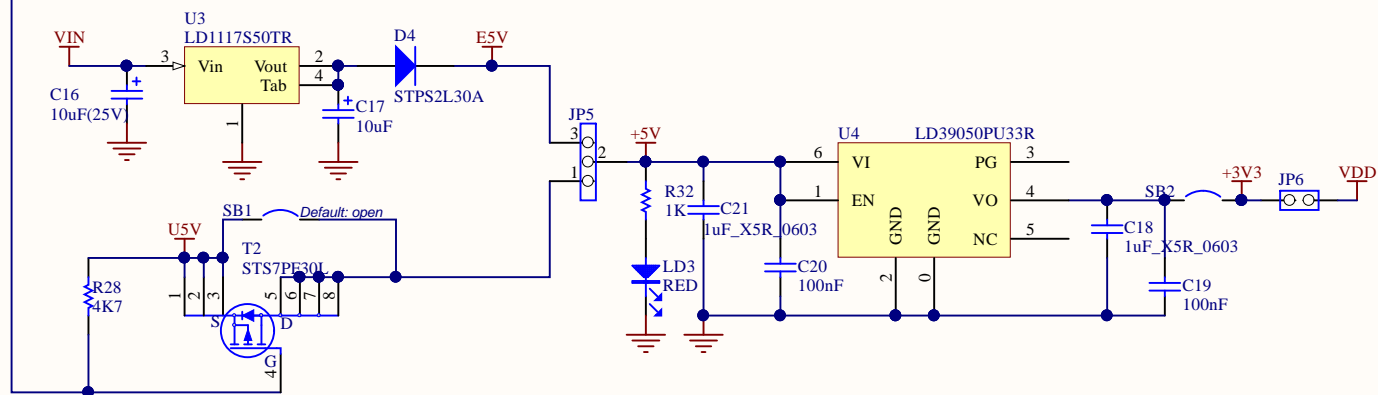
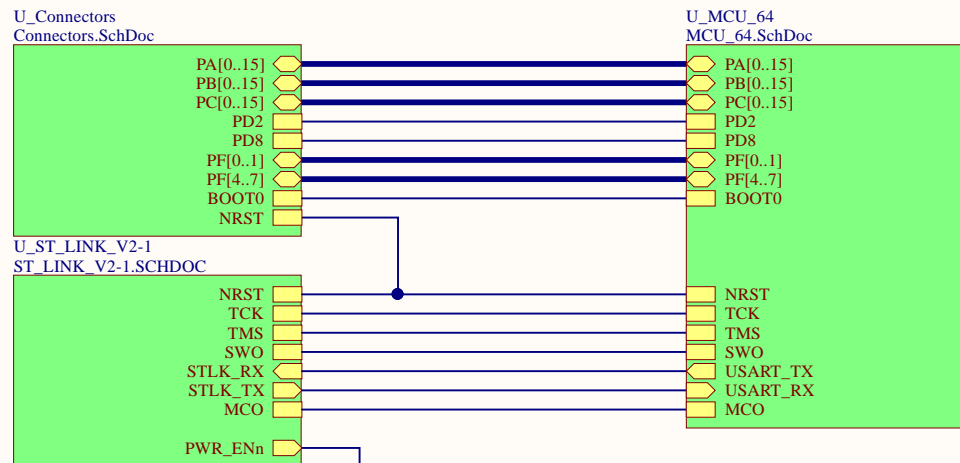
The complete Open Platform License Agreement can be found on www.st.com/opla.

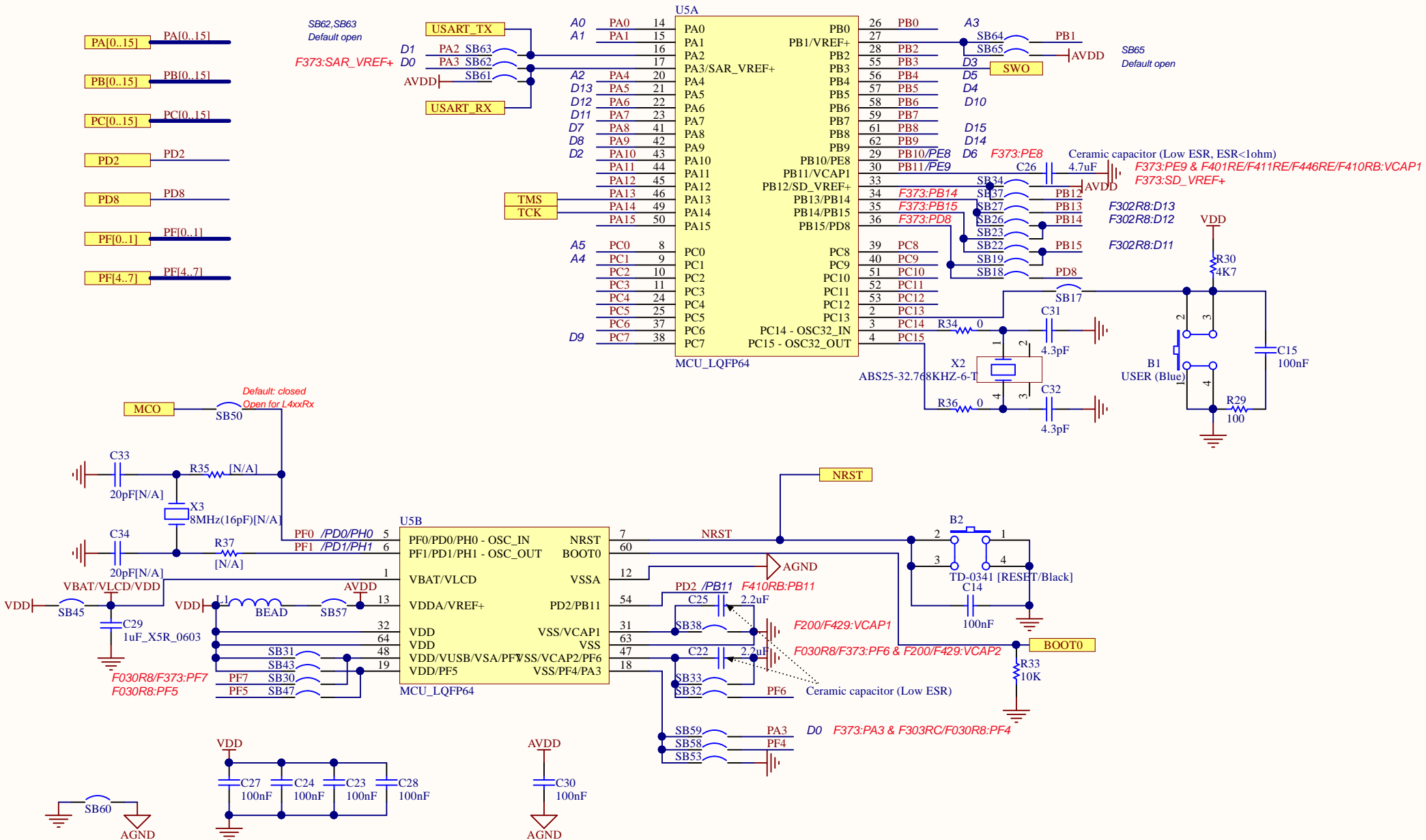
U_Top
Top.SchDoc



| | | |
|--------------------------------|-------------------|-------------------|
| Title: Project Overview | | |
| Project: NUCLEO-XXXXRX | | |
| Variant: [No Variations] | | |
| Revision: C-03 | | Reference: MB1136 |
| Size: A4 | Date: 05-NOV-2018 | Sheet: 1 of 5 |







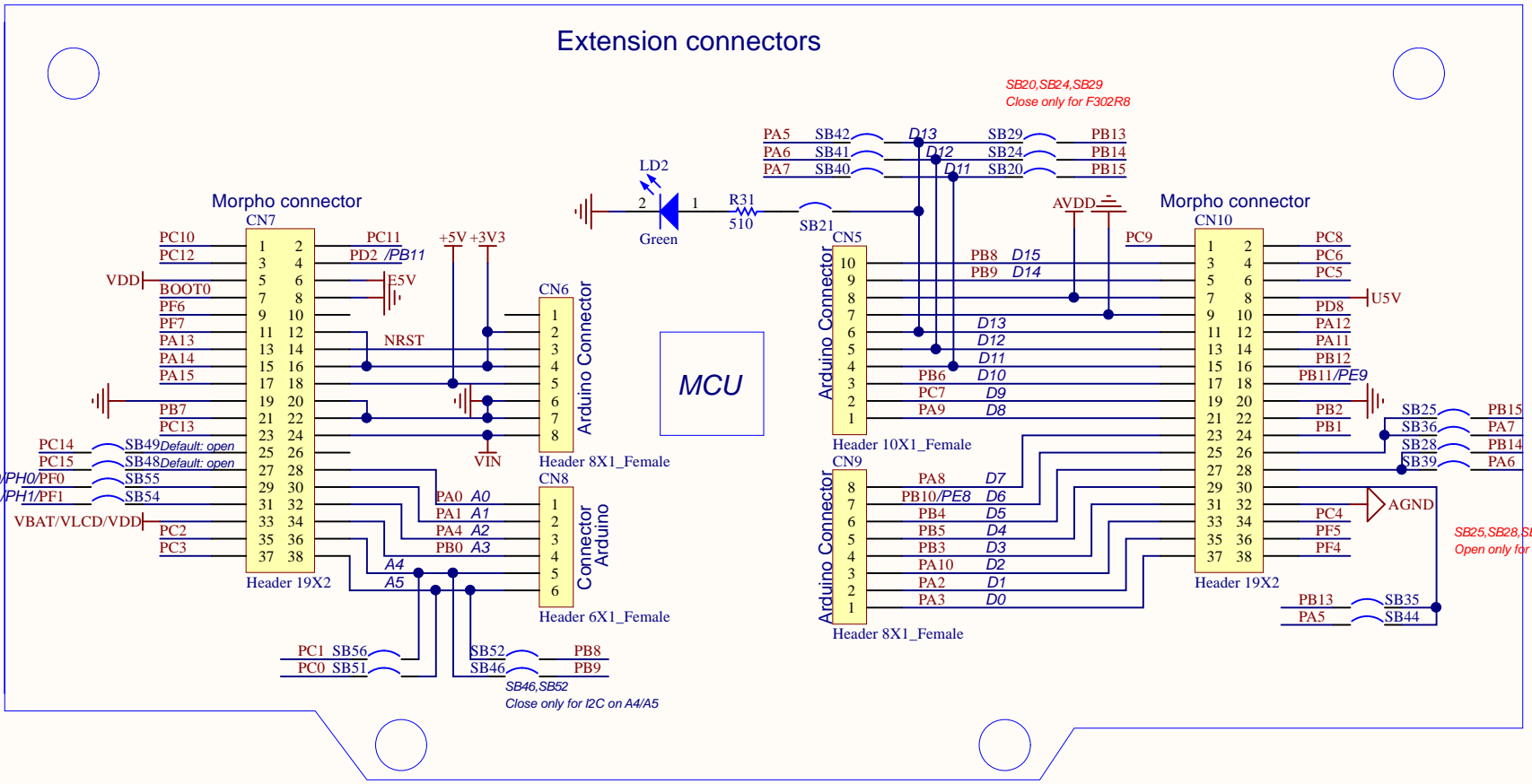
| | |
|--------------------------|---------------------------------|
| Title: MCU | |
| Project: NUCLEO-XXXXRX | |
| Variant: [No Variations] | |
| Revision: C-03 | Reference: MBI136 |
| Size: A4 | Date: 05-NOV-2018 Sheet: 3 of 5 |



- PA[0..15] PA0..151
- PB[0..15] PB0..151
- PC[0..15] PC0..151
- PD2 PD2
- PD8 PD8
- PF[0..1] PF0..11
- PF[4..7] PF4..71
- NRST NRST
- BOOT0 BOOT0

SB55: Default open
Closed for L4xxRx

PC14 SB49 Default: open
PC15 SB48 Default: open
PD0/PH0/PF0 SB55
PD1/PH1/PF1 SB54



Extension connectors

SB20, SB24, SB29
Close only for F302R8

SB25, SB28, SB35
Open only for F302R8

SB46, SB52
Close only for I2C on A4/A5

| | |
|------------------------------------|---------------------------------|
| Title: Extension connectors | |
| Project: NUCLEO-XXXXRX | |
| Variant: [No Variations] | |
| Revision: C-03 | Reference: MB1136 |
| Size: A4 | Date: 05-NOV-2018 Sheet: 5 of 5 |

