

STM32F769I-DISCO

MB1225

Table of contents

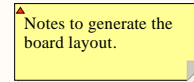
Sheet 1: Project overview (this page)
Sheet 2: Top
Sheet 3: ST-LINK/V2-1 with support of SWD only
Sheet 4: STM32F769NIH6 Connexion
Sheet 5: Audio Codec WOLFSON and Audio Connectors
Sheet 6: SDRAM (MICRON)
Sheet 7: Quad SPI Flash Memory (MICRON)
Sheet 8: Arduino UNO connectors
Sheet 9: USB OTG HS PHY with micro A-B connector
Sheet 10: Ethernet PHY with RJ45 connector
Sheet 11: Power Over Ethernet 3W
Sheet 12: MIPI connector for DSI LCD and HDMI boards.
Sheet 13: uSD, Wifi, LEDs and Push Button

Legend

General comment such as function title, configuration, ...

Text to be added to silkscreen.

Warning text.



Open Platform License Agreement

The Open Platform License Agreement (“Agreement”) is a binding legal contract between you (“You”) and STMicroelectronics International N.V. (“ST”), a company incorporated under the laws of the Netherlands acting for the purpose of this Agreement through its Swiss branch 39, Chemin du Champ des Filles, 1228 Plan-les-Ouates, Geneva, Switzerland.

By using the enclosed reference designs, schematics, PC board layouts, and documentation, in hardcopy or CAD tool file format (collectively, the “Reference Material”), You are agreeing to be bound by the terms and conditions of this Agreement. Do not use the Reference Material until You have read and agreed to this Agreement terms and conditions. The use of the Reference Material automatically implies the acceptance of the Agreement terms and conditions.

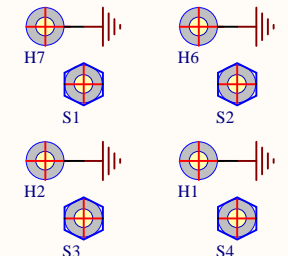
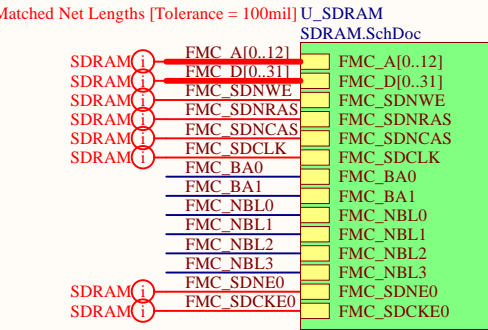
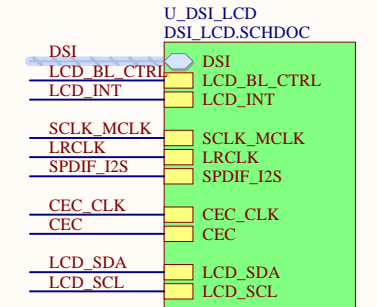
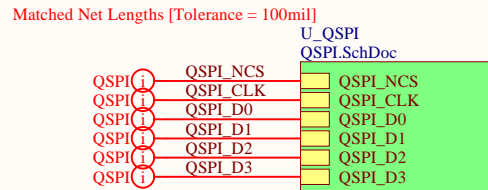
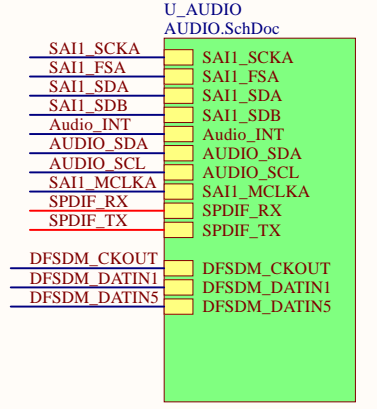
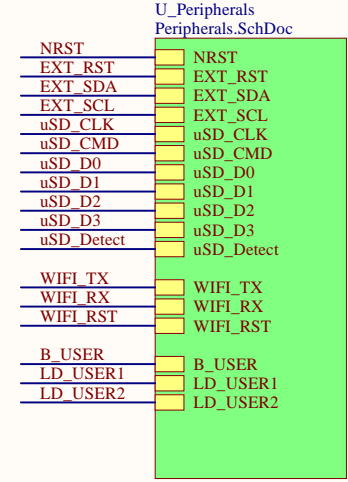
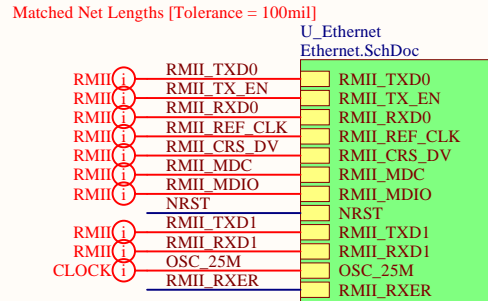
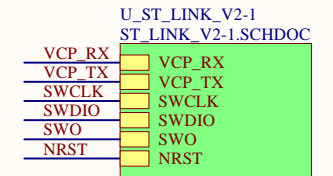
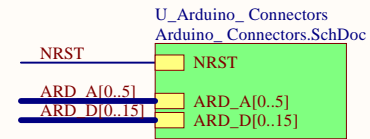
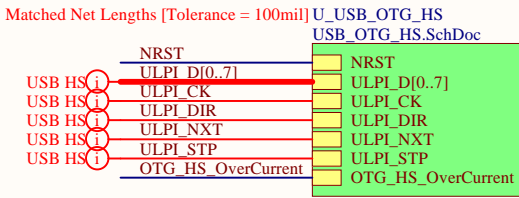
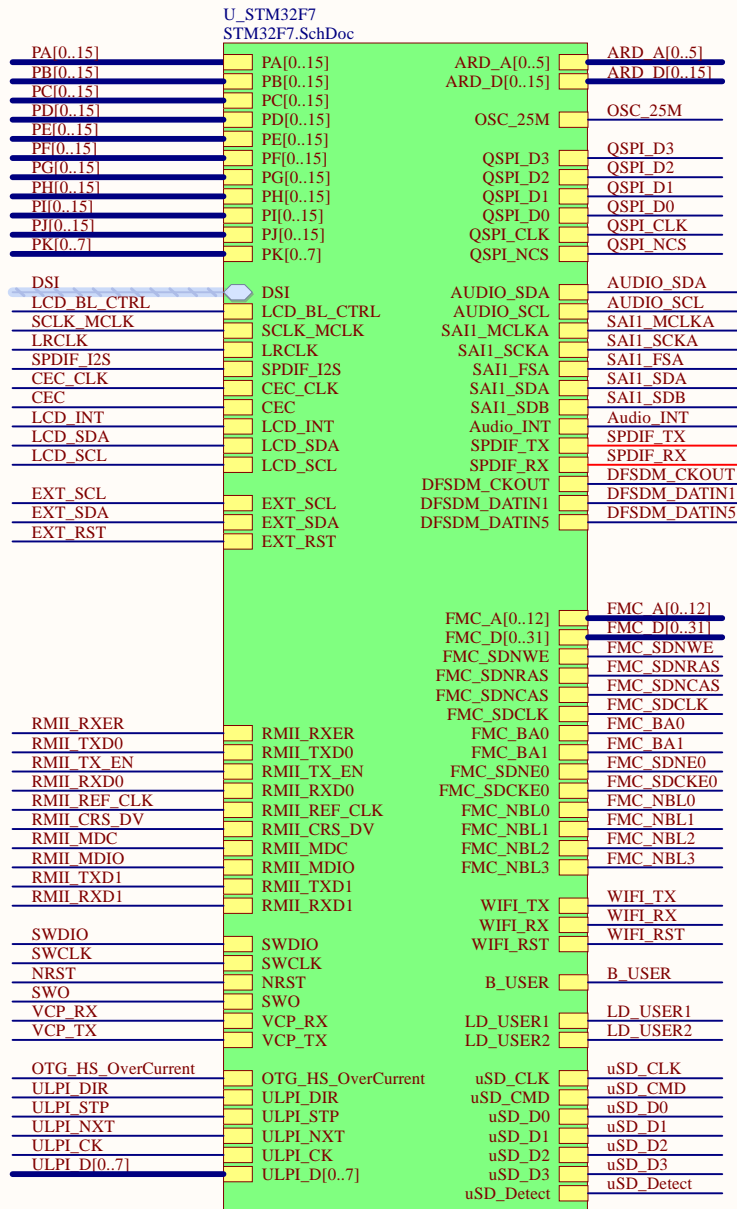
The complete Open Platform License Agreement can be found on www.st.com/opla.

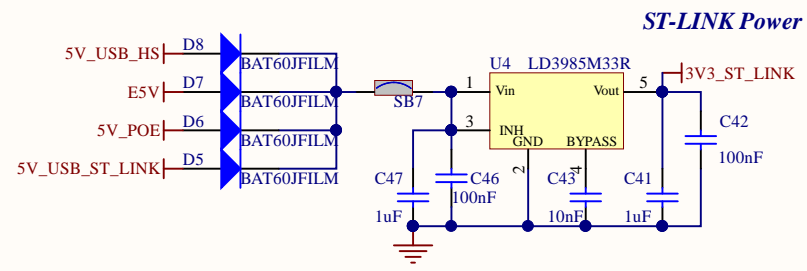
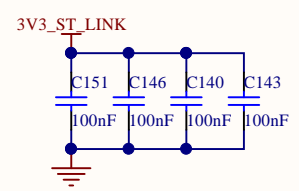
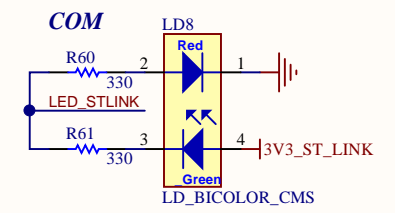
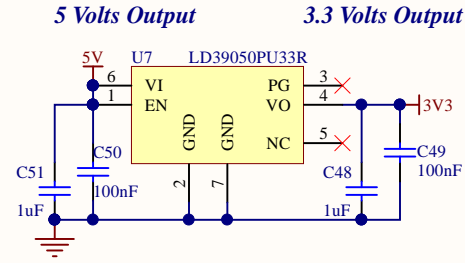
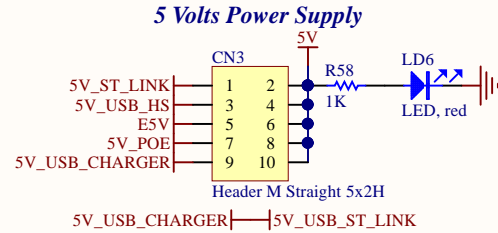
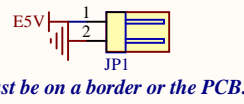
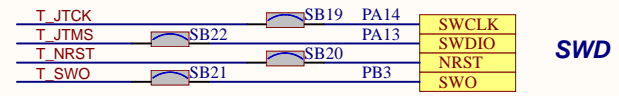
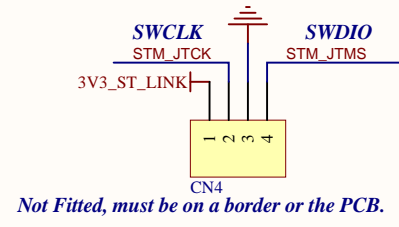
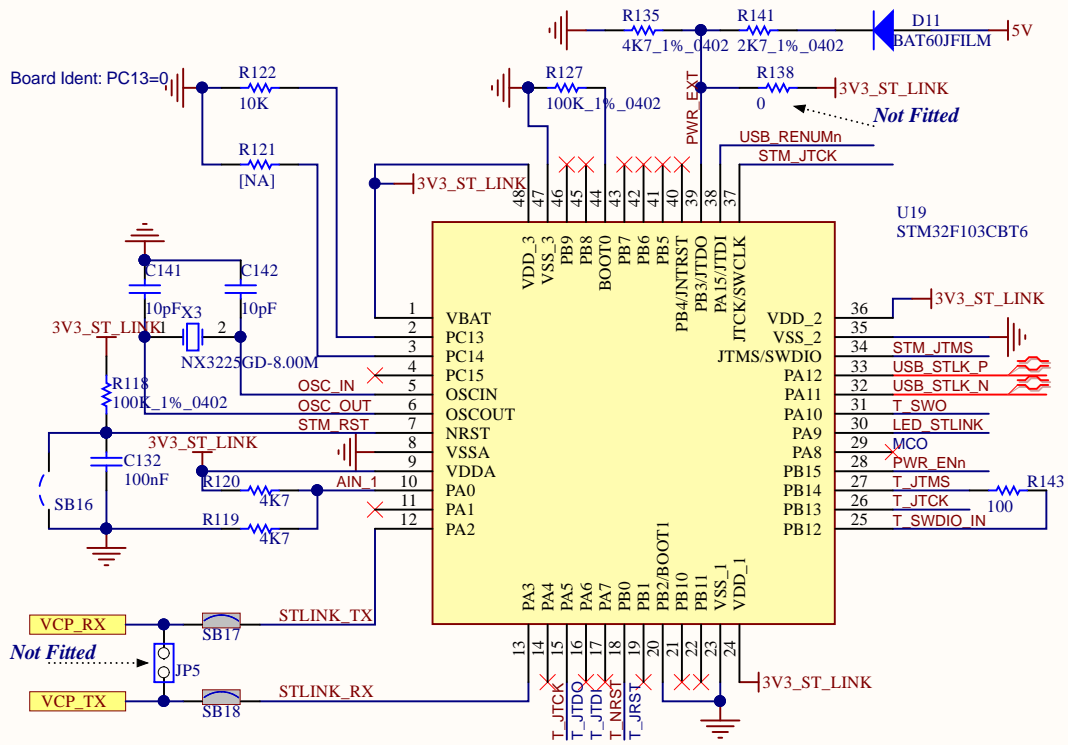
U_Top
Top.SchDoc



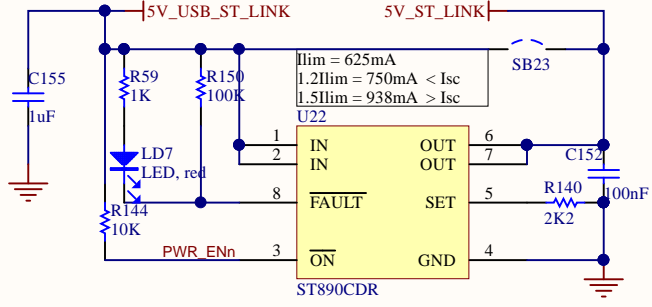
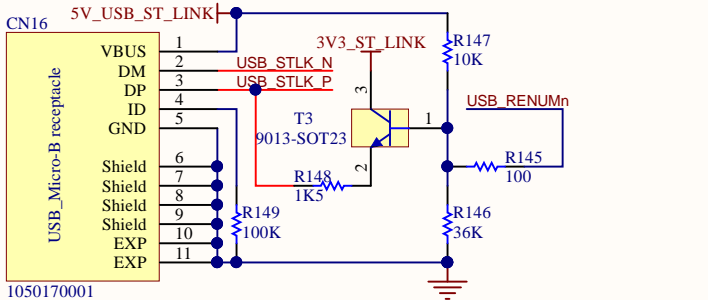
Title: Project overview		
Project: STM32F769I-DISCO		
Variant: [No Variations]		
Revision: B-02		Reference: MB1225
Size: A4	Date: 09/05/2016	Sheet: 1 of 13



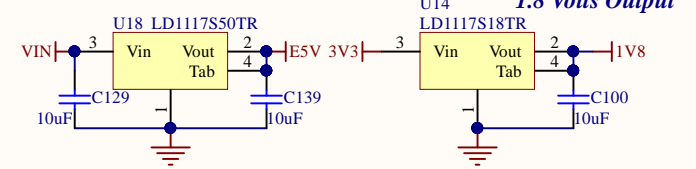


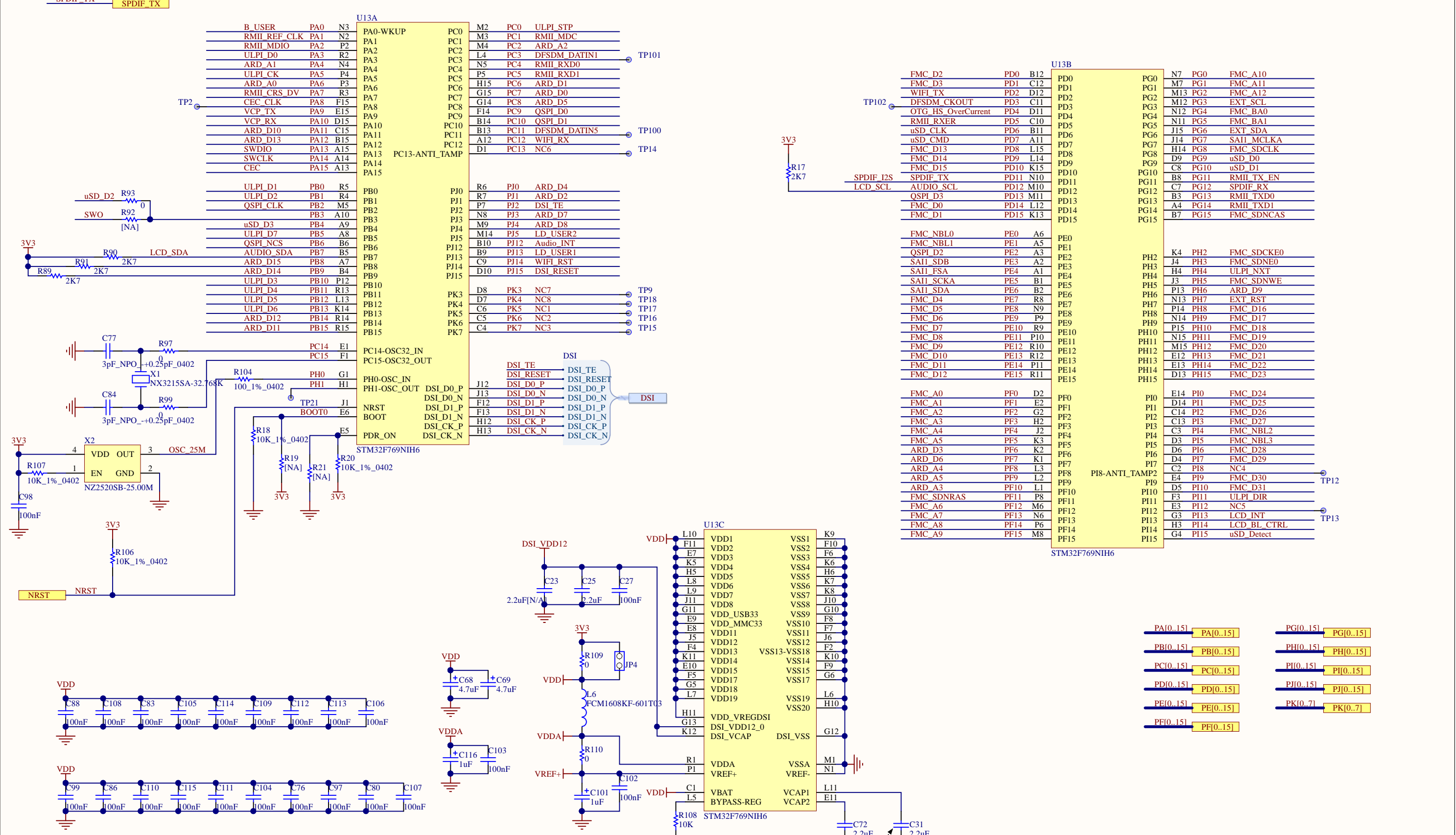
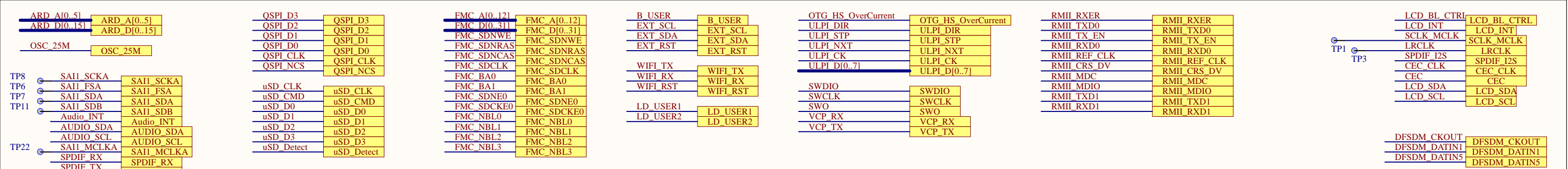


USB ST-LINK



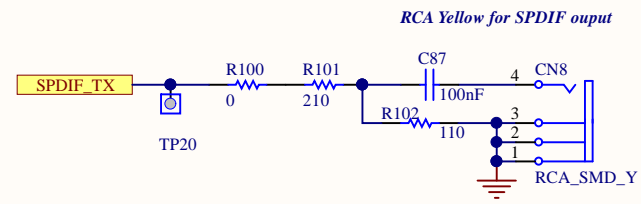
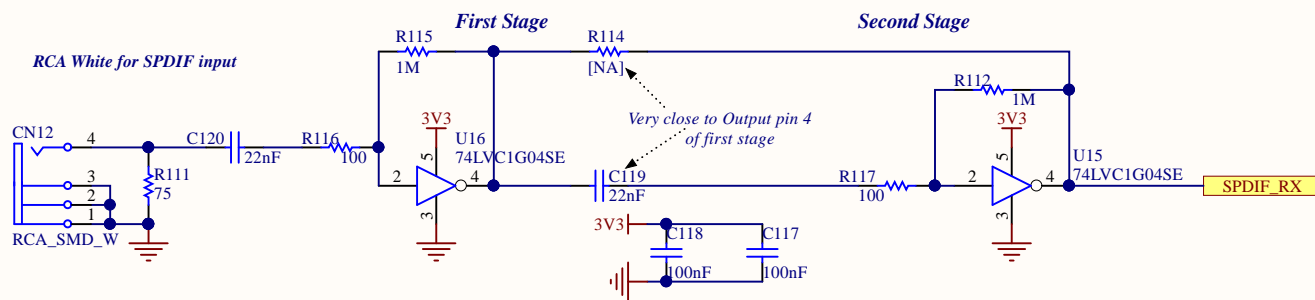
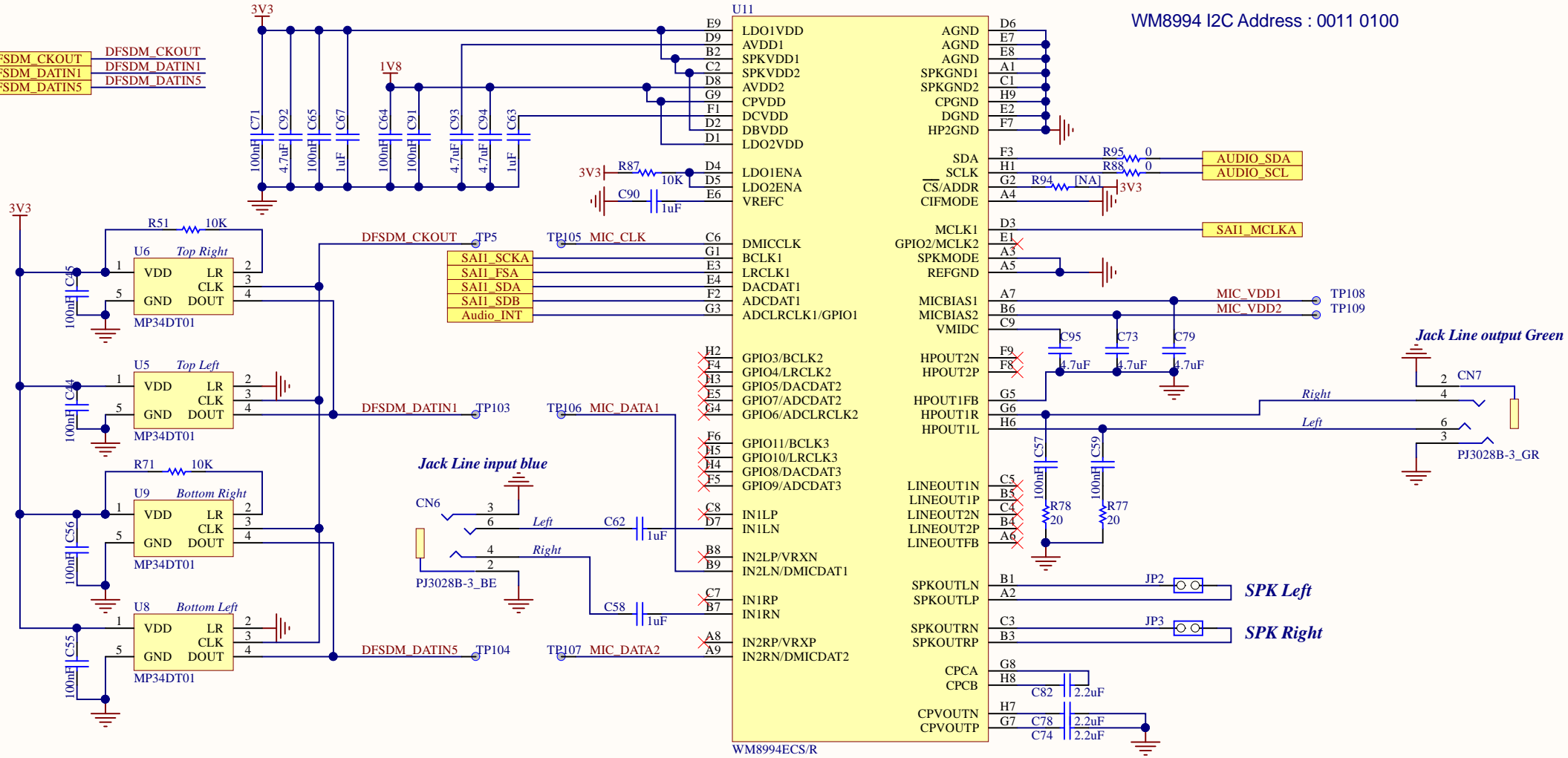
Arduino UNO power pin



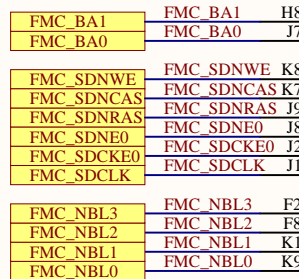


DFSDM_CKOUT	DFSDM_CKOUT
DFSDM_DATIN1	DFSDM_DATIN1
DFSDM_DATIN5	DFSDM_DATIN5

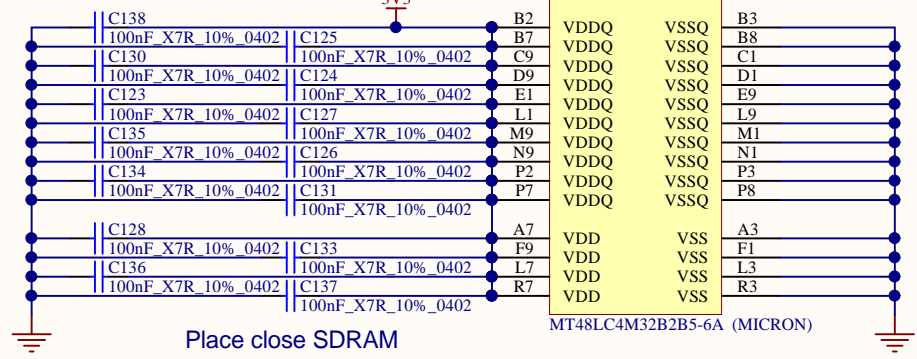
WM8994 I2C Address : 0011 0100



do not modify the way of the wire



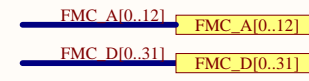
3V3



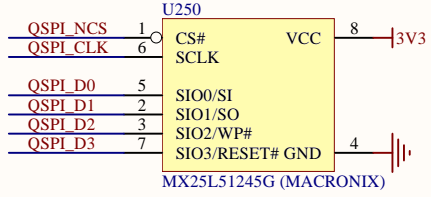
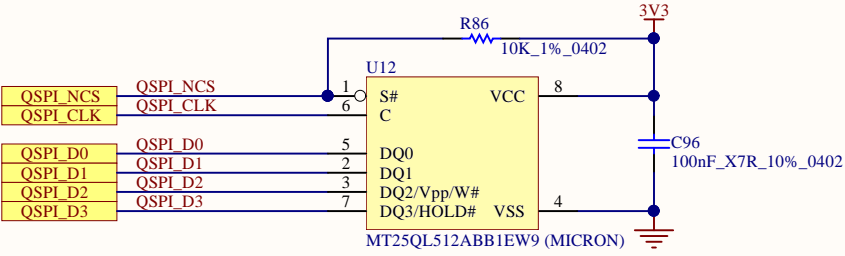
Place close SDRAM

U17

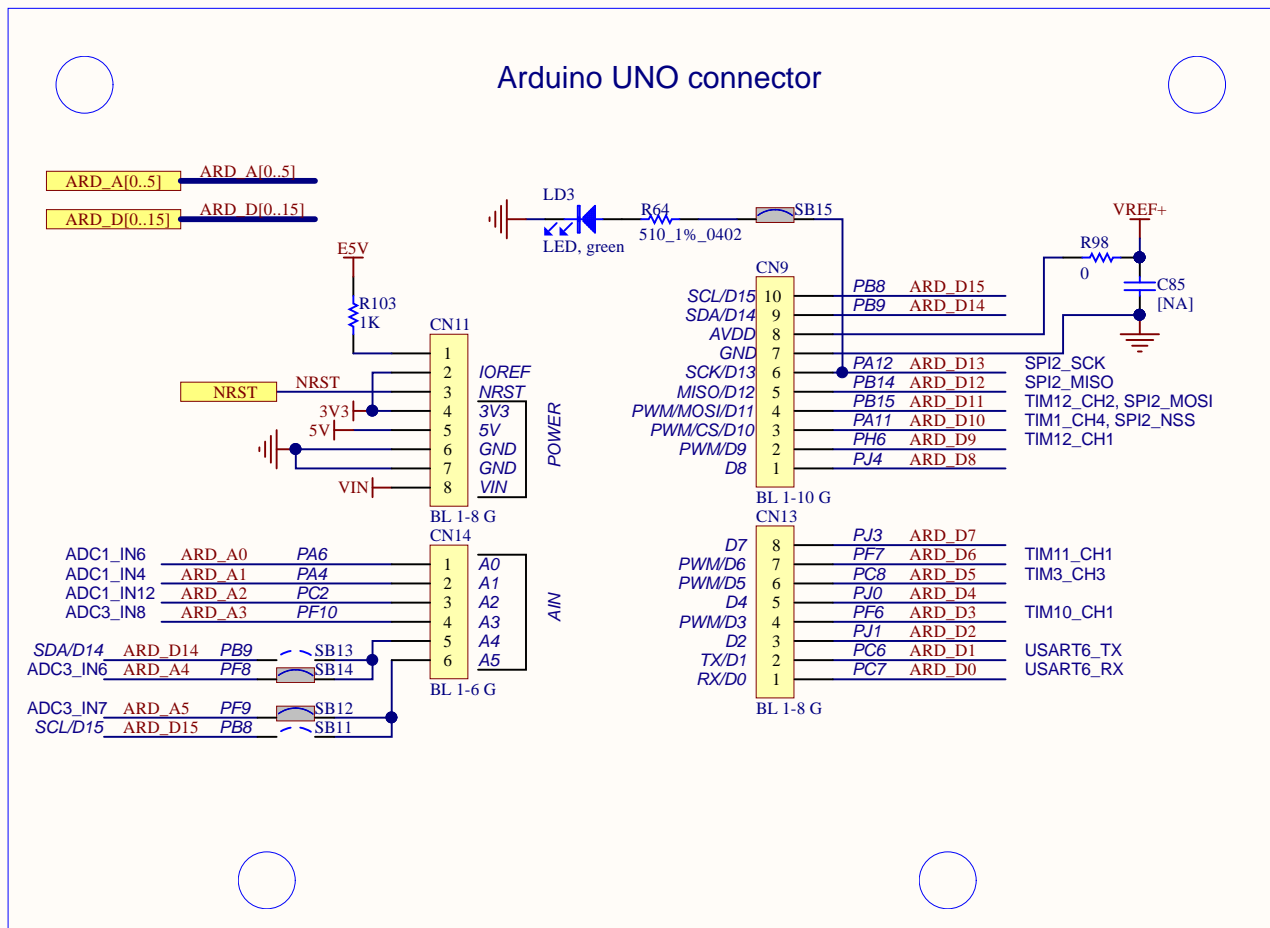
FMC_A11	H9	A11	DQ31	E2	FMC_D31
FMC_A10	G7	A10	DQ30	D3	FMC_D30
FMC_A9	J3	A9	DQ29	D2	FMC_D29
FMC_A8	H2	A8	DQ28	B1	FMC_D28
FMC_A7	H1	A7	DQ27	C2	FMC_D27
FMC_A6	G3	A6	DQ26	A1	FMC_D26
FMC_A5	G2	A5	DQ25	C3	FMC_D25
FMC_A4	G1	A4	DQ24	A2	FMC_D24
FMC_A3	F3	A3	DQ23	A8	FMC_D23
FMC_A2	F7	A2	DQ22	C7	FMC_D22
FMC_A1	G9	A1	DQ21	A9	FMC_D21
FMC_A0	G8	A0	DQ20	C8	FMC_D20
		BA1	DQ19	B9	FMC_D19
		BA0	DQ18	D8	FMC_D18
			DQ17	D7	FMC_D17
			DQ16	E8	FMC_D16
		WE#	DQ15	R2	FMC_D15
		CAS#	DQ14	N3	FMC_D14
		RAS#	DQ13	R1	FMC_D13
		CS#	DQ12	N2	FMC_D12
		CKE	DQ11	P1	FMC_D11
		CLK	DQ10	M2	FMC_D10
			DQ9	M3	FMC_D9
			DQ8	L2	FMC_D8
			DQ7	L8	FMC_D7
			DQ6	M7	FMC_D6
			DQ5	M8	FMC_D5
			DQ4	P9	FMC_D4
			DQ3	N8	FMC_D3
			DQ2	R9	FMC_D2
			DQ1	N7	FMC_D1
			DQ0	R8	FMC_D0
		NC			
		NC			
		NC			
		NC			
		NC			
		NC			
		NU			
		B2	VDDQ	B3	
		B7	VDDQ	B8	
		C9	VDDQ	C1	
		D9	VDDQ	D1	
		E1	VDDQ	E9	
		L1	VDDQ	L9	
		M9	VDDQ	M1	
		N9	VDDQ	N1	
		P2	VDDQ	P3	
		P7	VDDQ	P8	
		A7	VDD	A3	
		F9	VDD	F1	
		L7	VDD	L3	
		R7	VDD	R3	

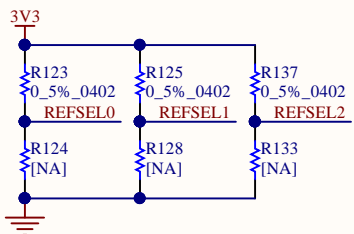
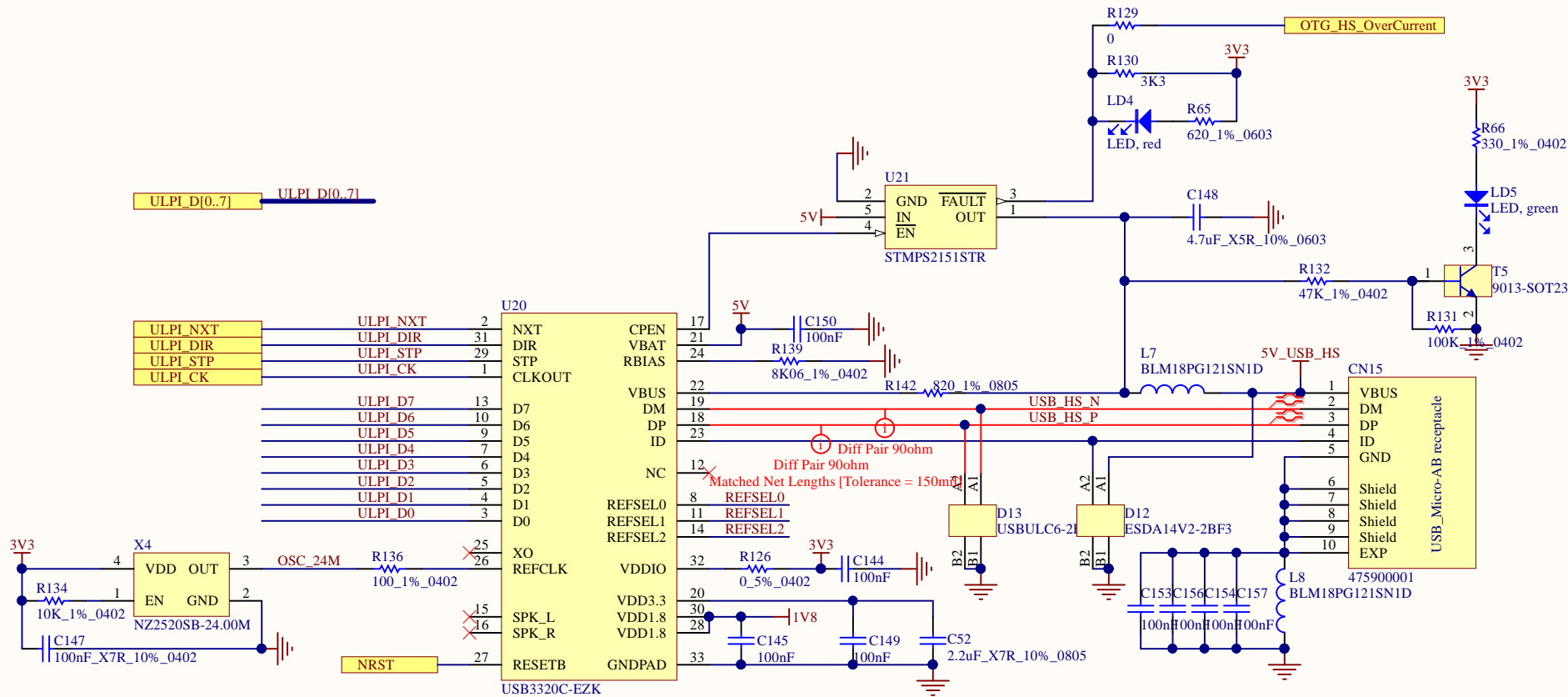


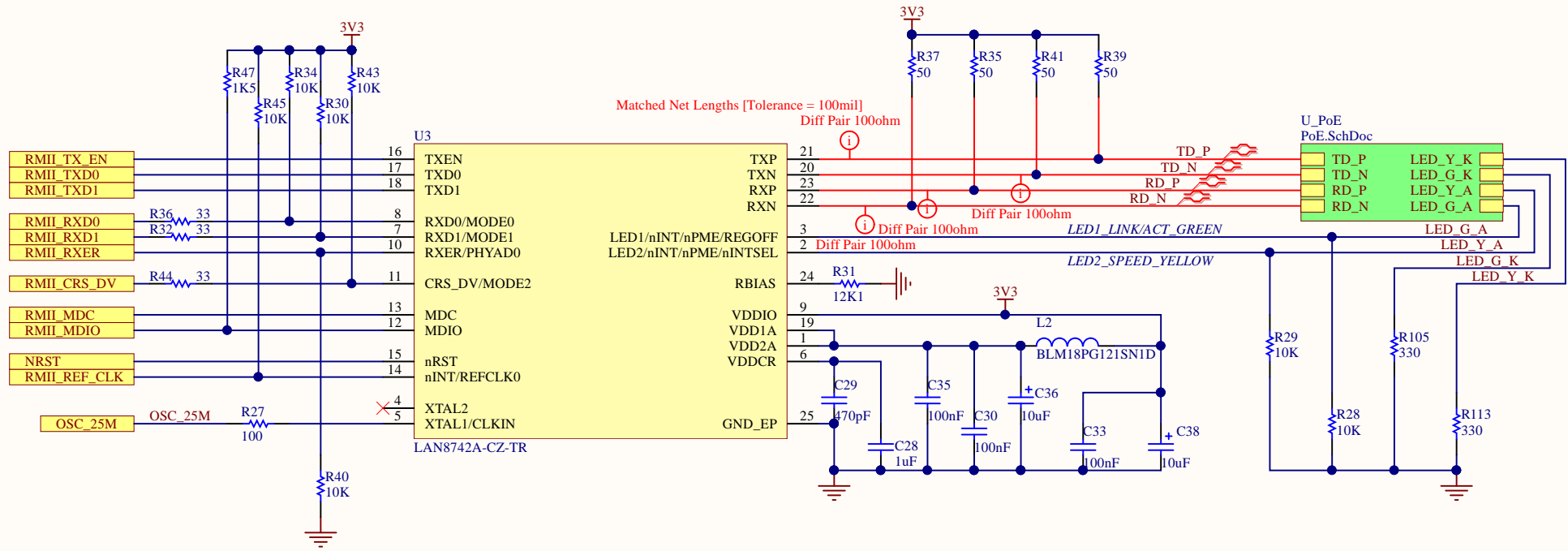
Quad SPI Flash Memory



Arduino UNO connector







Power Over Ethernet

Matched Net Lengths [Tolerance = 100mil]
Diff Pair 100ohm

INPUT

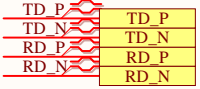
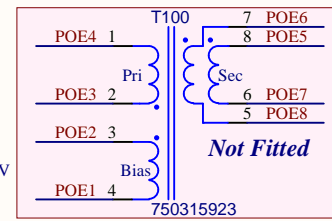
Matched Net Lengths [Tolerance = 100mil]
Diff Pair 100ohm

Matched Net Lengths [Tolerance = 100mil]
Diff Pair 100ohm

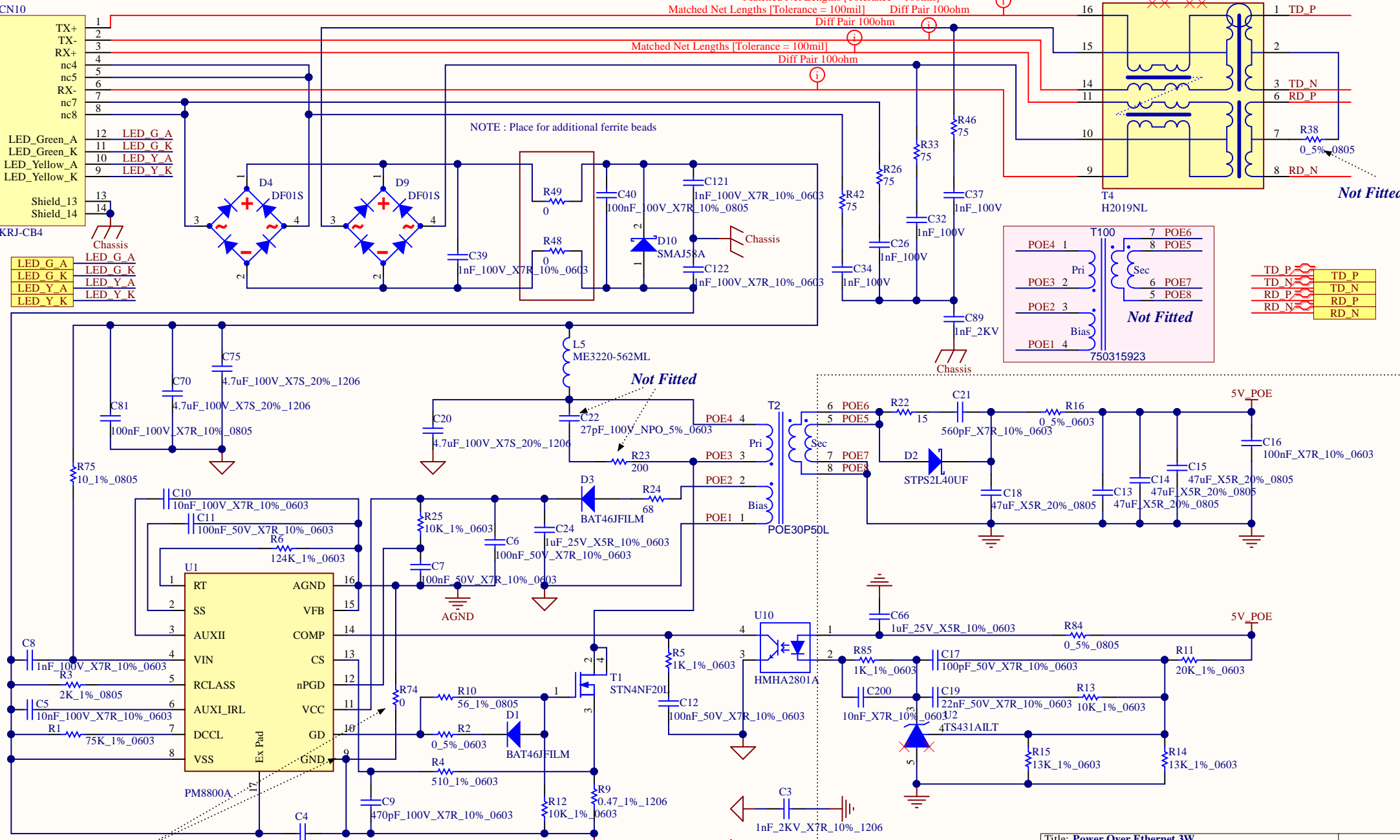
Matched Net Lengths [Tolerance = 100mil]
Diff Pair 100ohm

NOTE : Place for additional ferrite beads

T4
H2019NL



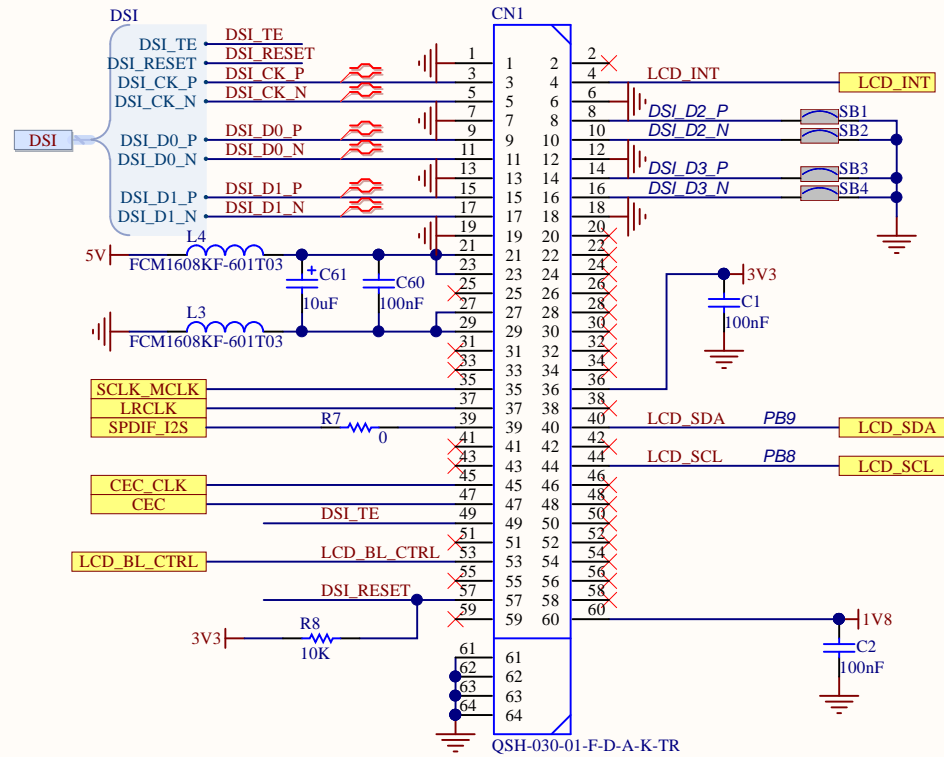
Not Fitted



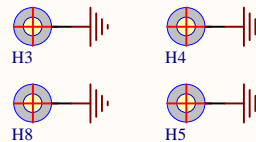
NOTE : The AGND is a dedicated plan.
The resistor 0 ohm must be very close to pin 9

Title: Power Over Ethernet 3W		
Project: STM32F769I-DISCO		
Variant: [No Variations]		
Revision: B-02	Reference: MB1225	
Size: A4	Date: 09/05/2016	
Sheet: 11 of 13		life.documented

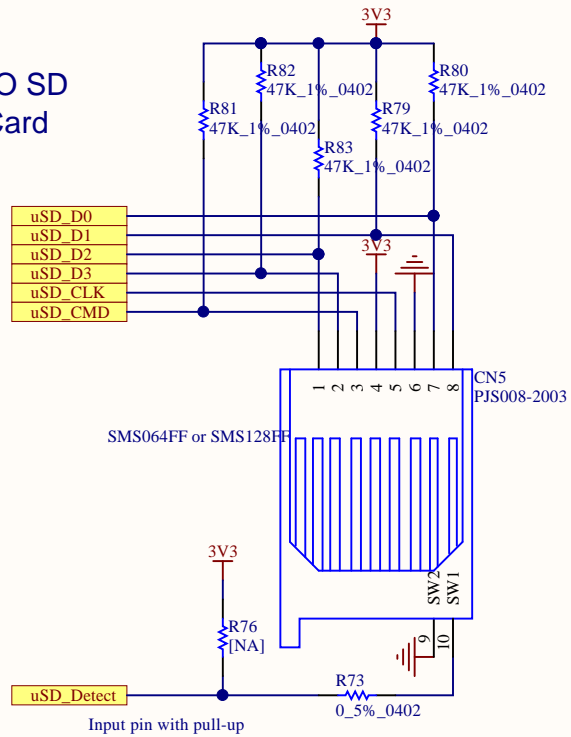
DSI LCD



MB1166 I2C Address : 0101 0100

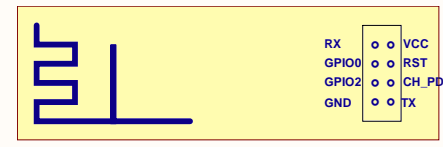
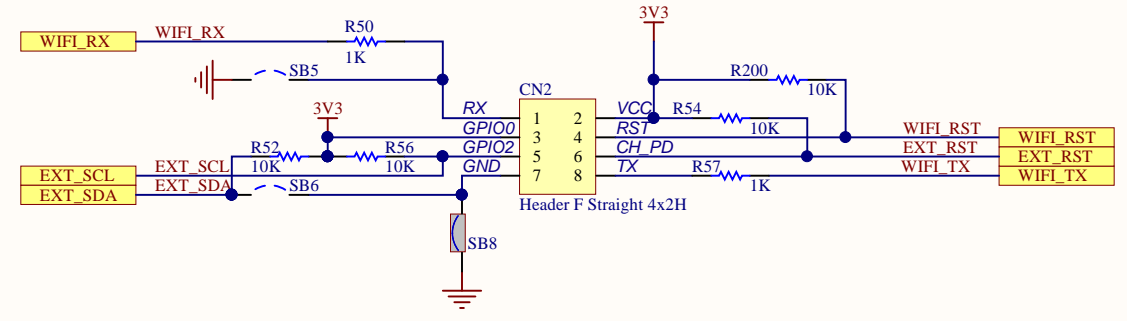


MICRO SD (TF) Card

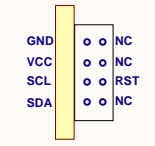


Input pin with pull-up

WIFI with ESP8266 or I2C EXT Connector

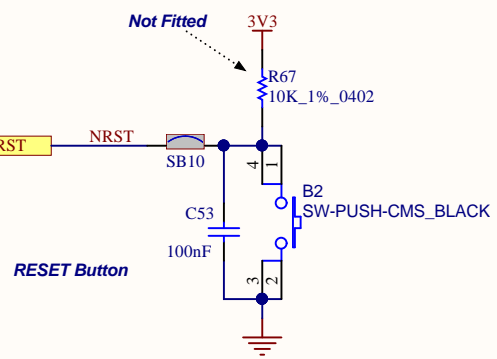
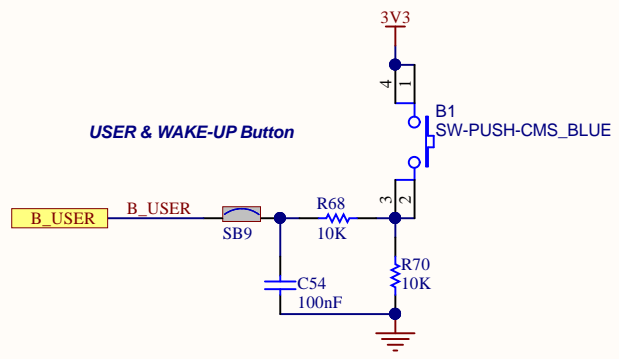


ESP8266-01 WIFI board
 SB5, SB6, OFF
 SB8, ON
 EXT_RST, EXT_SCL, EXT_SDA = HIZ



MB1064 MB1020 I2C board
 SB8, OFF
 SB5, SB6, ON
 WIFI_RST, WIFI_RX, WIFI_TX = HIZ

USER & WAKE-UP Button



LEDs

