

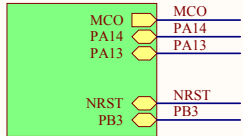
1

2

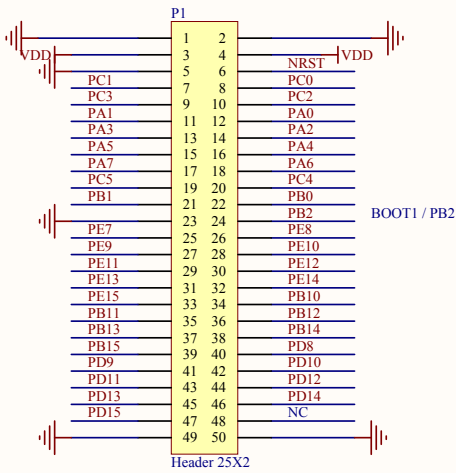
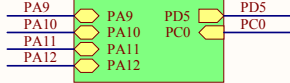
3

4

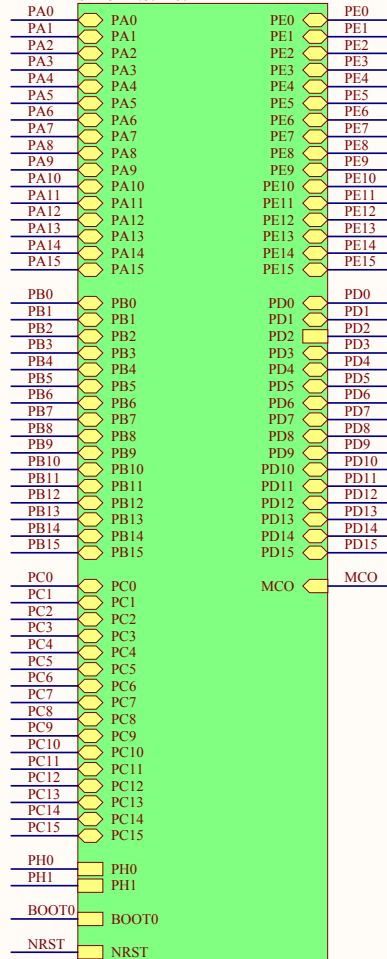
ST\_LINK\_V2.SCHDOC  
U\_ST\_LINK



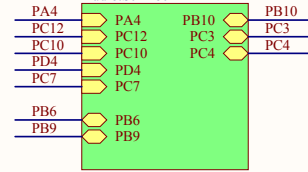
U\_USB\_OTG\_FS  
USB\_OTG\_FS.SchDoc



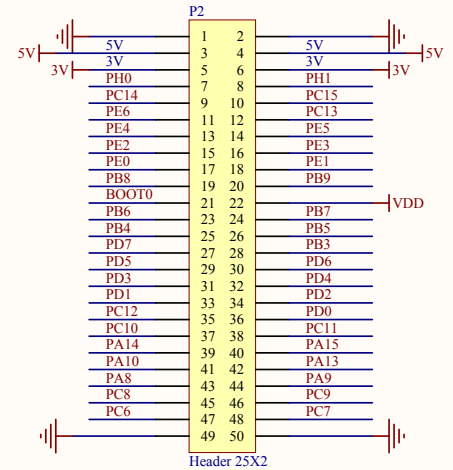
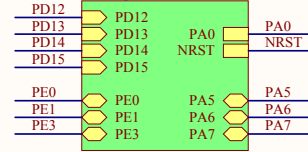
U\_STM32Fx  
STM32Fx.SchDoc



U\_Audio  
Audio.SchDoc



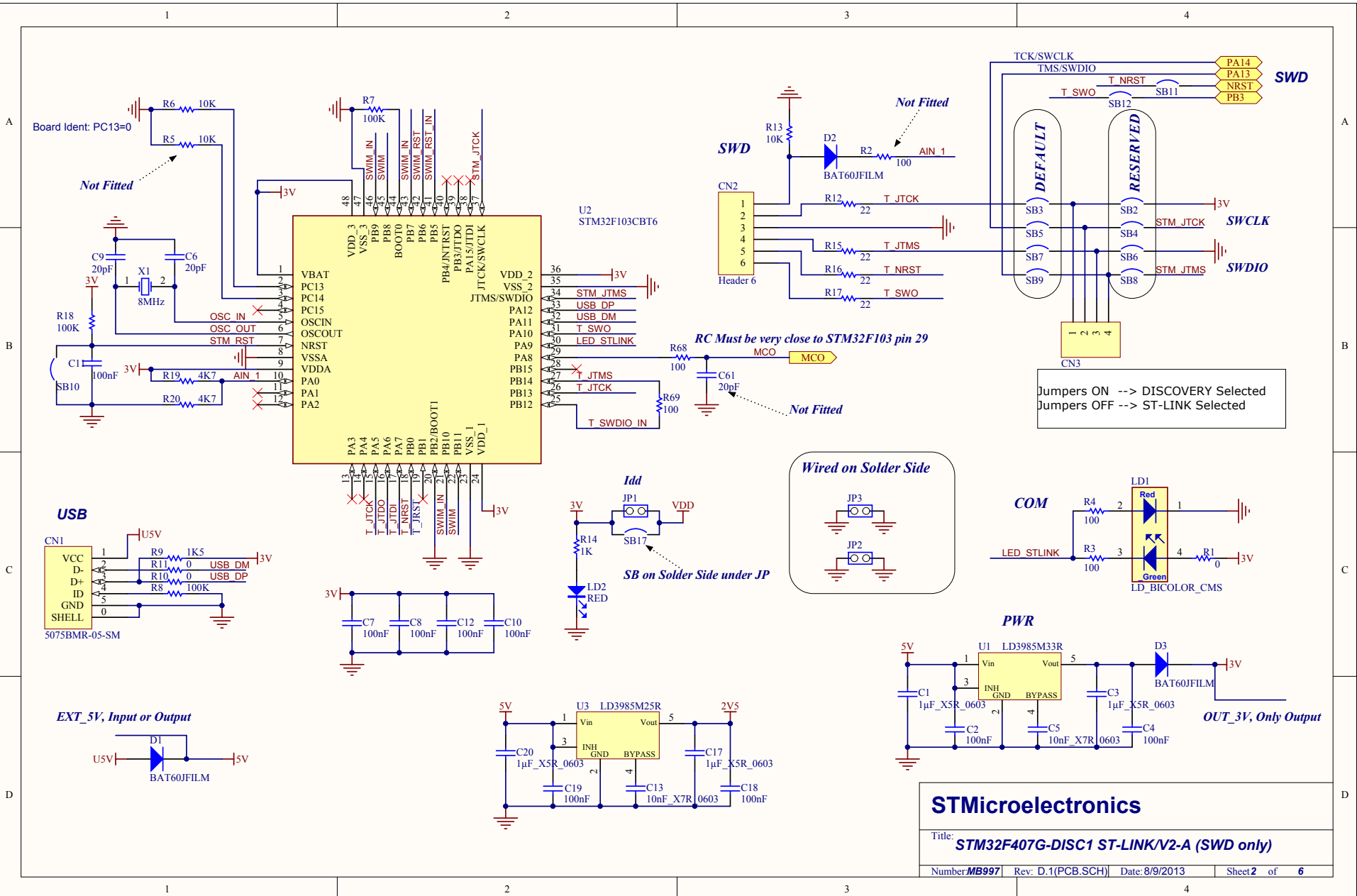
U\_IO Peripherals  
IO Peripherals.SchDoc



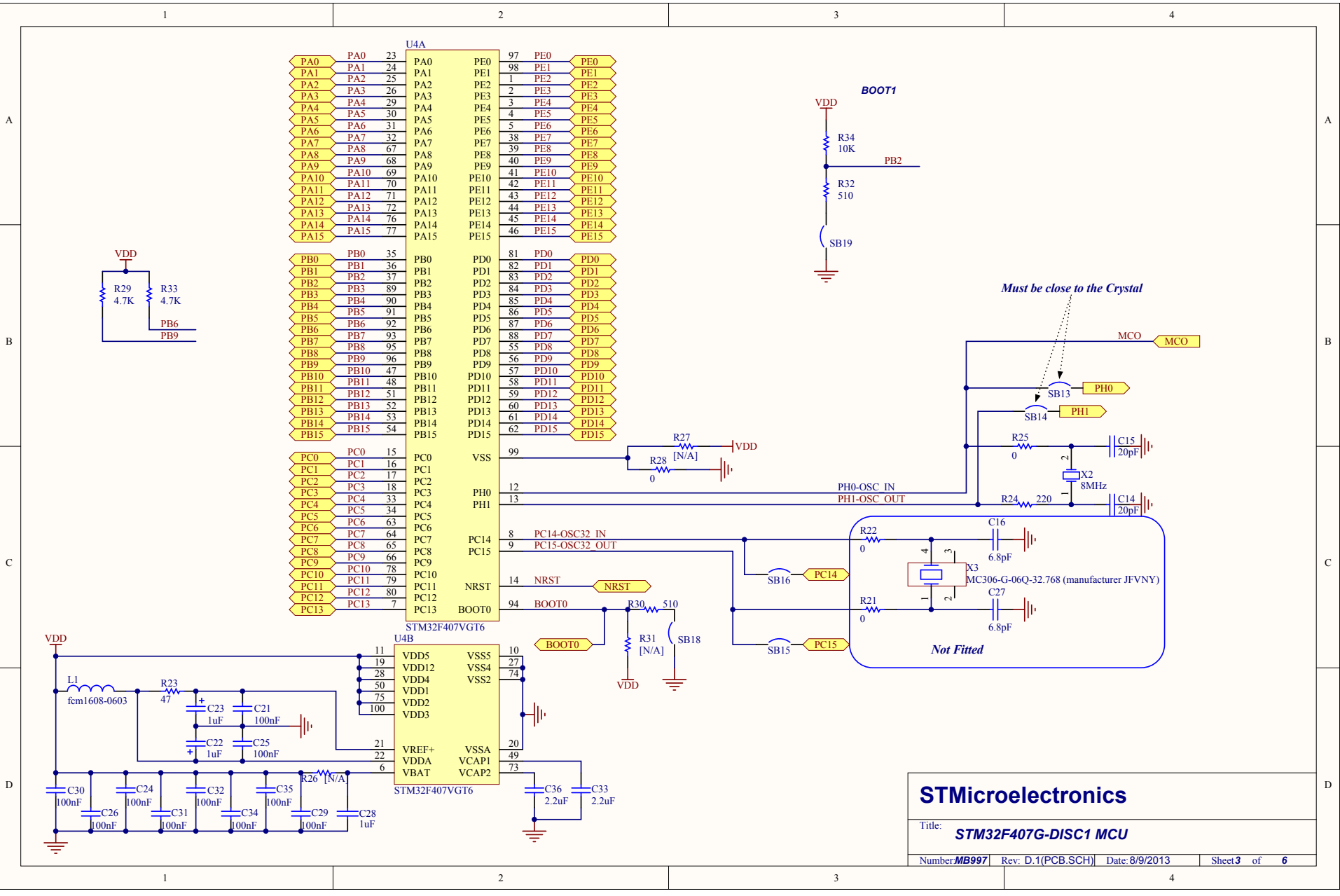
Rev D.1 -> PCB label MB997 D-01, silkscreen modified for mbed-enabled, STM32F103C8T6 replaced by STM32F103CBT6  
 Rev C.1 -> PCB label MB997 C-01, R31 not Fitted, PDR\_ON of STM32F4 replaced by VSS  
 Replace LIS302DL by LIS3DSH (US)  
 Rev B.2 -> PCB label MB997 B-02, R27 Not Fitted, R28 Fitted  
 Rev B.1 -> PCB label MB997 B-01

# STMicroelectronics

Title: **STM32F407G-DISC1**



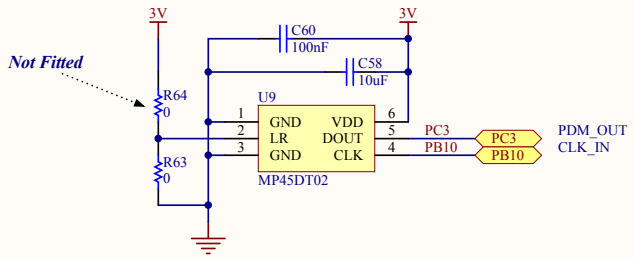
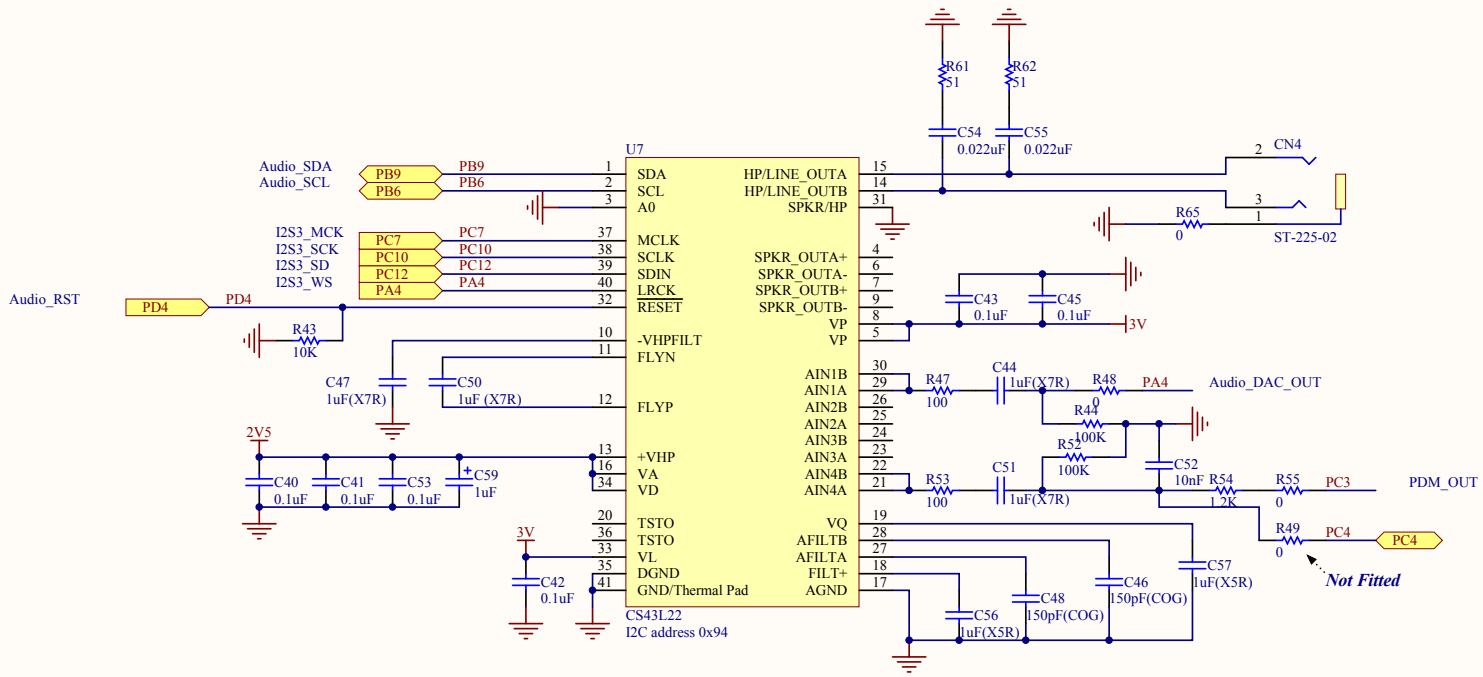
<b>STMicroelectronics</b>			
Title: <b>STM32F407G-DISC1 ST-LINK/V2-A (SWD only)</b>			
Number <b>MB997</b>	Rev: D.1(PCB.SCH)	Date: 8/9/2013	Sheet <b>2</b> of <b>6</b>

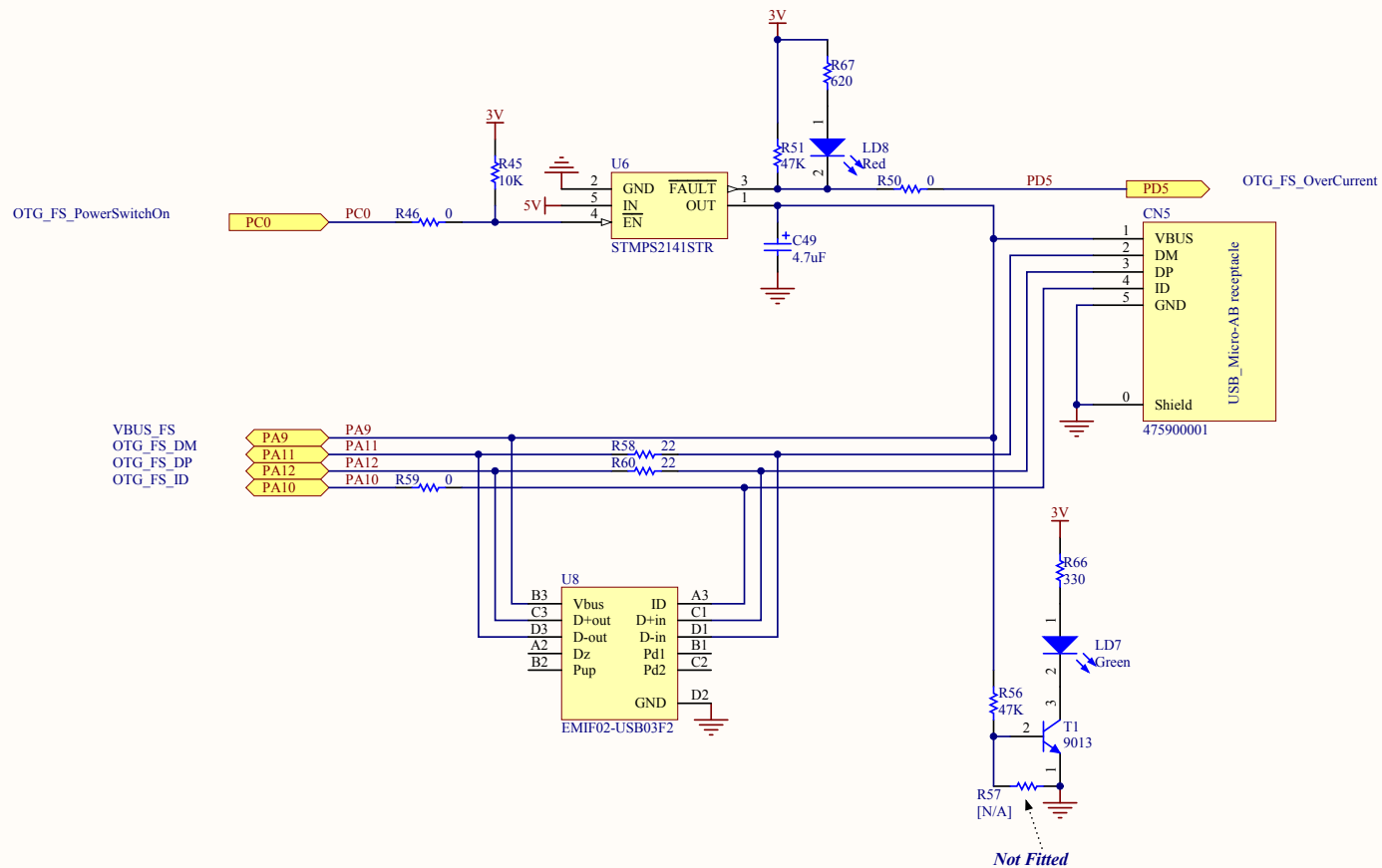


**STMicroelectronics**

Title: **STM32F407G-DISC1 MCU**

Number **MB997** | Rev: **D.1(PCB.SCH)** | Date: **8/9/2013** | Sheet **3** of **6**

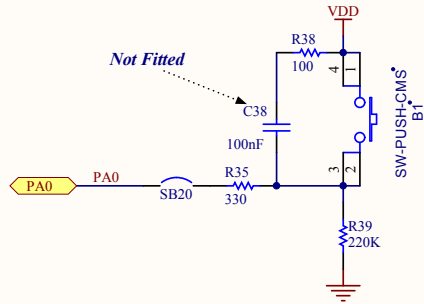




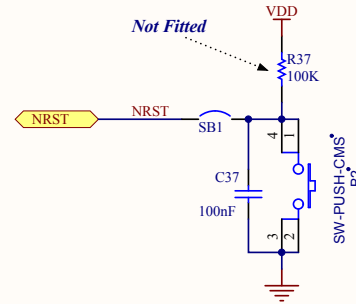
**STMicroelectronics**

Title: **STM32F407G-DISC1 USB\_OTG\_FS**

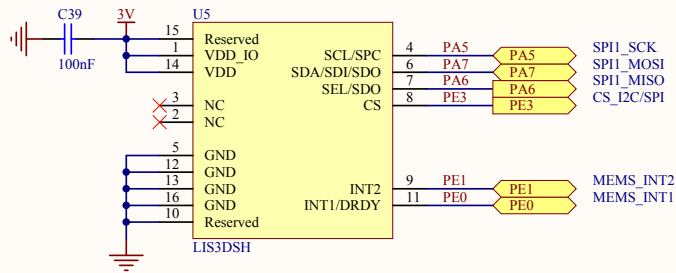
Number **MB997** | Rev: D.1(PCB.SCH) | Date: 8/9/2013 | Sheet5 of 6



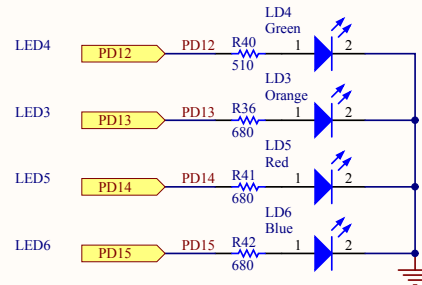
**USER & WAKE-UP Button**



**RESET Button**



**MEMS**



**LEDs**

# STMicroelectronics

Title: **STM32F407G-DISC1 Peripherals**